

rotork®

Gears



The Smart Position Indicator (SPI) features limit switches enclosed in a IECEx / ATEX certified protective enclosure providing an accurate and reliable Open / Close signal to the control room for multi-turn manual valves.

Using 30+ years of proven technology, the new SPI mechanically displays the position of the valve for in-field notification and digitally signals its open / closed position.

With certification for use in gas and dust explosion hazardous environments, the SPI helps to create a safer working environment. The compact SPI offers Ex e or Ex i certified limit switches complete with internal terminations, removing the requirement for an external junction box.

Application

The Smart Position Indicator is designed for use in chemical, petro-chemical, oil and gas industries, power plants and water supply.

Features

- Multi-turn manual duty
- ISO5210 F10 output
- Anodised aluminium housing
- Stainless steel fasteners
- Protected shafts
- Adjustable open/shut plates & contacts
- Maintenance free
- Switches and terminals housed inside a protective enclosure
- Switches used:
 - Bartec 07-1501-6520-63
 - Pepperl+Fuchs NCB2-V3-N0
 - Crouzet 831391 CBB.5.A
 - Omron D3V-161-1A5 (or equivalent)
- Mount to existing F10 input flange (stem acceptance Ø20 x 60 mm)
- Direct mount to rising stem valve (max stem acceptance Ø20 x 100 mm stroke including thrust taking)

Smart Position Indicator (SPI)

Options

- Pin / key handwheel

Environmental Specification

- IP67 minimum sealed unit

Certification

• Hazardous Area:

On versions fitted with flameproof micro-switches:

⊕ Ex II 2GD

Ex e d IIC T4 Gb / Ex h IIC T4 Gb / Ex tb IIIC T135°C Db
IP67

T ambient = -25 to +65 °C

(1.5 A version) or -25 to +40 °C (5 A version)

On versions fitted with intrinsically safe proximity sensors:

⊕ Ex II 2G

Ex ib IIC T4 Gb / Ex h IIC T4 Gb

T ambient = -25 to +100 °C

• Non Hazardous Area:

Watertight & Dust-tight, BS EN 60529 IP67

T ambient = -25 to +100 °C

Keeping the World Flowing

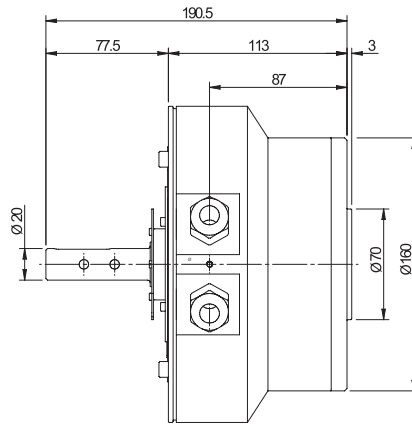
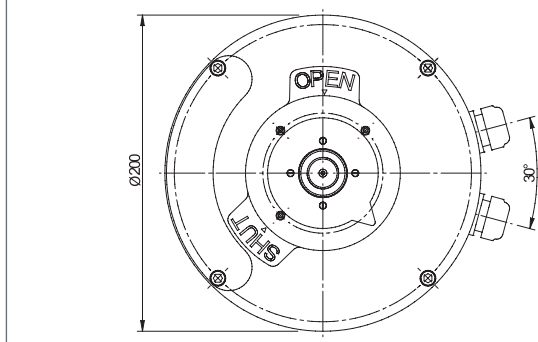
Technical Specification

Size	Ratio : 1	Gearbox No. of Turns		Weight (kg)
		Min	Max	
SPI 1	34.8	4	26	6.4
SPI 2	113.3	13	87	6.4
SPI 3	368	42	284	6.6
SPI 4	1,196	137	923	6.7

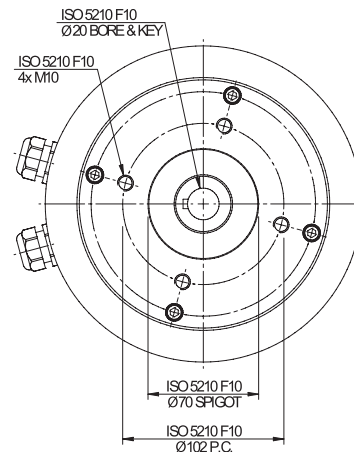
18 Nm torque should be added to the input torque before sizing a handwheel when using an SPI. With a standard 360 Nm rim effort, adding 100 mm to the handwheel size will generate the 18 Nm required.

Material Specification

Description	Material
Fasteners	Stainless Steel A4
Position Indicator	Stainless Steel 303
Sealing	NBR
Housing	Aluminium
Gearing	Carbon Steel C45
End Plates	Aluminium



Note: Cable glands are shown for pictorial purposes only.
Cable gland holes are 1/2" - 14 NPT.



Rotork Gears UK
9 Brown Lane West
Holbeck, Leeds LS12 6BH
England
tel +44 (0)113 256 7922
email sales@rotorkgears.com

Rotork Gears Americas
1811 Brittmooore
Houston, Texas 77043, USA
tel +1 713 9837381
fax +1 713 8568022
email gears@rotorkgears.com

Rotork Valvekits Americas
Rotork Tulsa, Inc.
4433 West 49th Street, Suite D
Tulsa, OK 74107, USA
tel +1 (918) 259-8100
fax +1 (918) 259-9167
email usasales@rotorkvalvekits.com

Roto Hammer Industries
Rotork Tulsa, Inc.
4433 West 49th Street, Suite D
Tulsa, OK 74107, USA
tel +1 (918) 446-3500
fax +1 (918) 446-6218
email sales@rotohammer.com

Rotork Gears BV
Nijverheidstraat 25
7581 PV Losser
P.O. Box 98, 7580 AB Losser
The Netherlands
tel +31 (0)53 - 5388677
fax +31 (0)53 - 5383939
email info@rotorkgears.nl

Rotork Gears Shanghai
No. 260 Lian Cao Road
Xin Mei Urban Industrial Park
Min Hang District
Shang Hai 201108
China
tel 0086 21 33236200
fax 0086 21 64348388
email info@rotorkgears.com.cn

Rotork Gears S.R.L.
Viale Europa 17
20090 Cusago (MI)
Italy
tel +39 0290 16711
fax +39 0290 390368
email rg srl.sales@rotork.com

Rotork Gears India
165/166, Bommasandra
Jigani Link Road
Kiadb Industrial Area, Anekal
Thaluk
Jigani Hobli, Bangalore 562106
India
tel +91 80 3098 1600
fax +91 80 3098 1610
email sales@rotork.co.in

Rotork Valvekits
Brookside Way
Nunn Park
Huthwaite
Nottinghamshire NG17 2NL
England
tel +44 (0)1623 440211
fax +44 (0)1623 440214
email sales@rotorkvalvekits.com

A full listing of the Rotork sales and service network is available on our website.

www.rotork.com